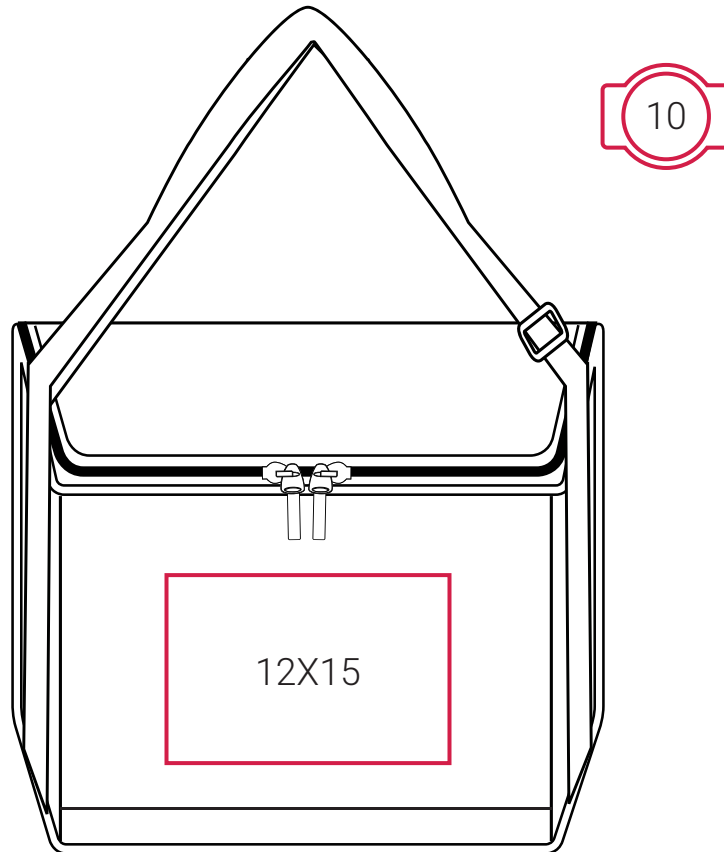


---

## DECORATION INFO

---

SH1828 | Woodstock Cooler Bag



---

**10X10** Printing Area (cm),  
Height x Width.

↑ **10** ↓ **10** Embroidery Area (diameter/cm),  
Arrow direction - upper/lower area.

---

### Suitable for:

Screen Printing | DTF / Digital Transfer | Transfer Printing (foil, one colour) | Embroidery.

