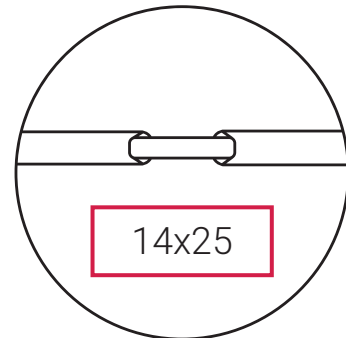
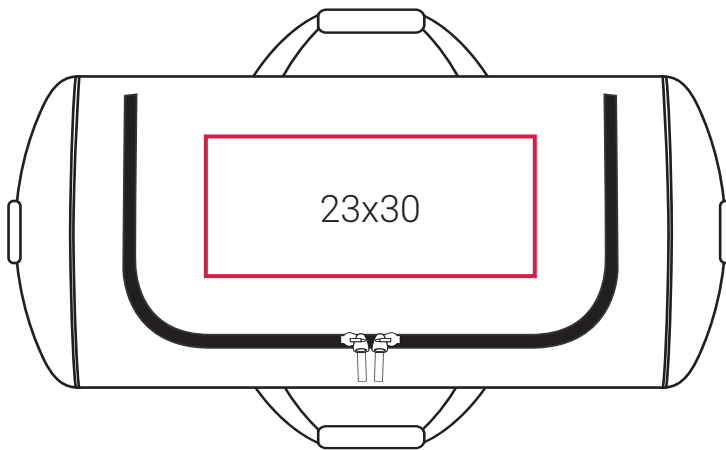
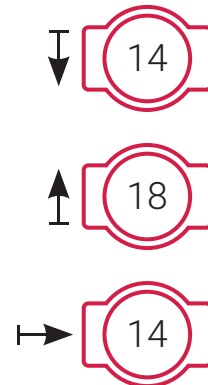
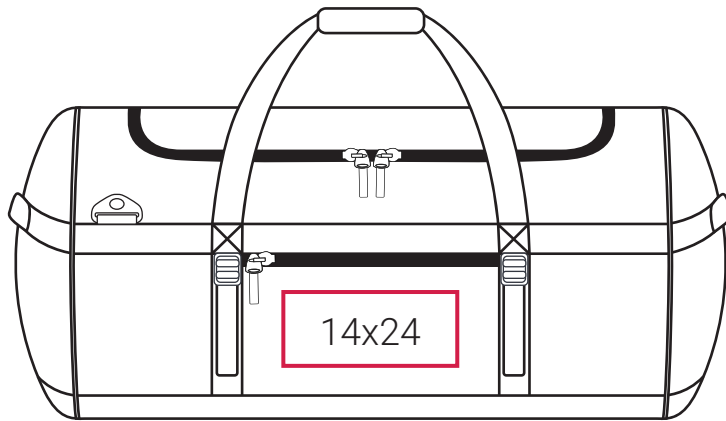


DECORATION INFO

SH2688 | Atlantic Oversized Kitbag



10X10

Printing Area (cm),
Height x Width.



Embroidery Area (diameter/cm),
Arrow direction - upper/lower area.

Suitable for:

Screen Printing | DTF / Digital Transfer | Transfer Printing (foil, one colour) | Embroidery.

