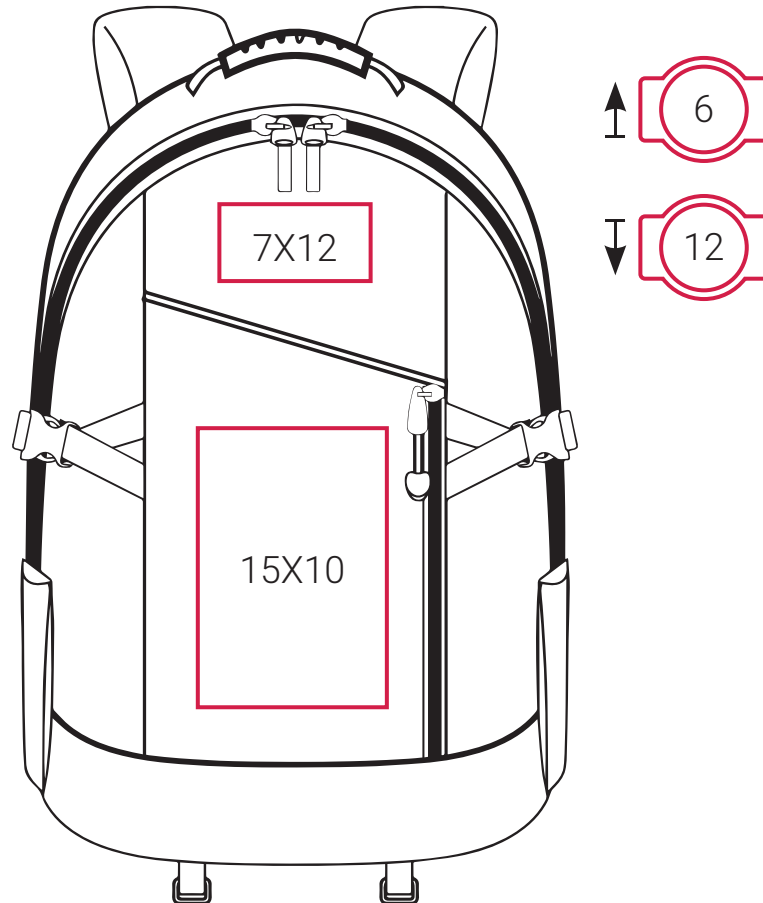


---

## DECORATION INFO

---

SH1786 | Gran Peirro Hiker Backpack



---

**10X10** Printing Area (cm),  
Height x Width.

**10** **10** Embroidery Area (dimeter/cm),  
Arrow direction - upper/lower area.

---

### Suitable for:

Screen Printing | DTF / Digital Transfer | Transfer Printing (foil, one colour) | Embroidery.

