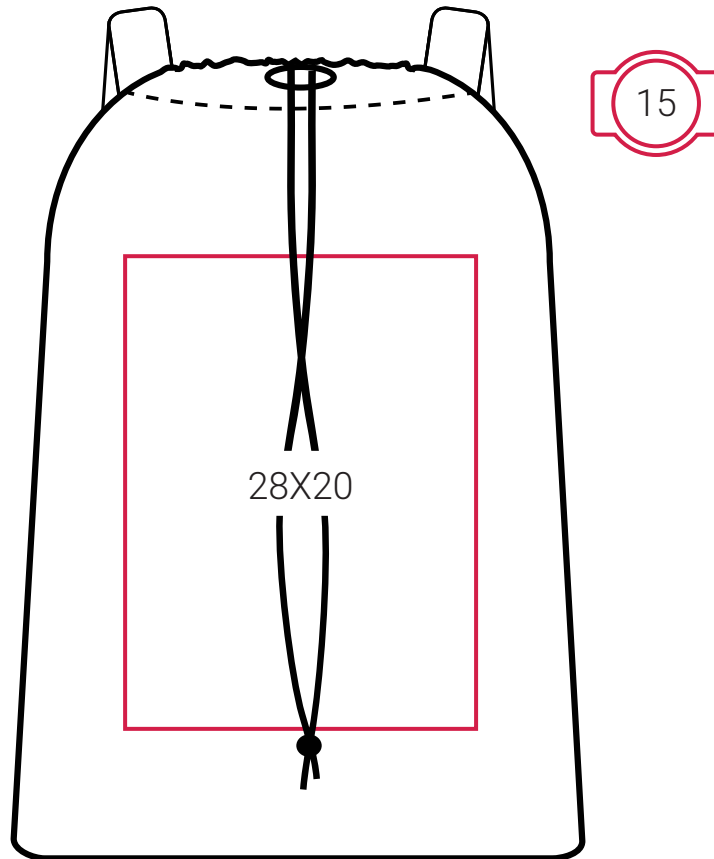

DECORATION INFO

SH5897 | Sheffield Cotton Drawstring Backpack



10X10 Printing Area (cm),
Height x Width.

↑ **10** ↓ **10** Embroidery Area (diameter/cm),
Arrow direction - upper/lower area.

Suitable for:

Screen Printing | DTF / Digital Transfer | Transfer Printing (foil, one colour) | Embroidery.

